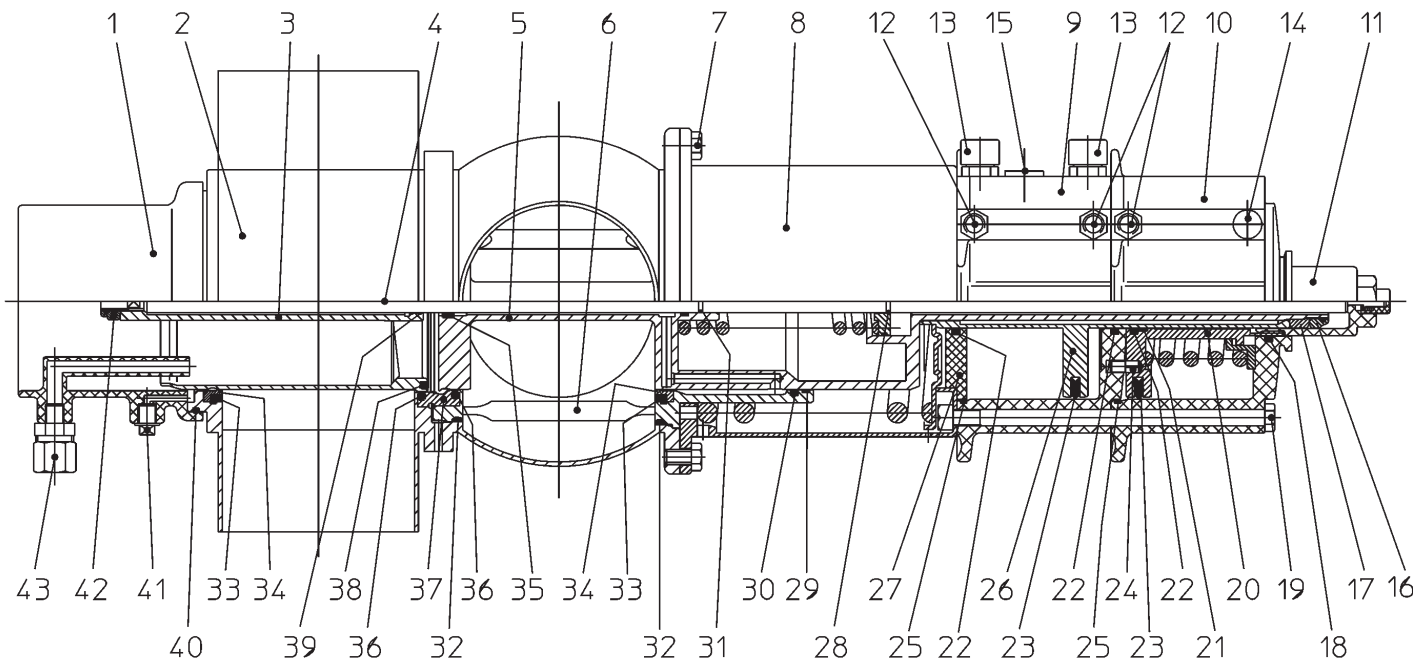


APV Double Seat Valve - Delta DA3



The following seal materials are available (fill in last two digits of ref.-no.)

material seals:
../13-Silicone
../33-HNBR
../73-Viton

For Silicone take the EPDM-housing seal.

			DOUBLE SEAT VALVE DA3 DN 1.5-4 TUBE					
			1T	1.5T	2T	2.5T	3T	4T
Pos	Qty	Description	Ref No.					
1	1	Cip Connection		09-40-114/93	09-40-114/93	09-40-114/93	09-40-115/93	09-40-115/93
2	1	Housing DA31 1+2S		16-61-407/47	16-61-457/47	16-61-507/47	16-61-557/47	16-61-657/47
	1	Housing DA32 1+2+3S		16-62-407/47	16-62-457/47	16-62-507/47	16-62-557/47	16-62-657/47
	1	Housing DA33 1+2+3S		16-63-407/47	16-63-457/47	16-63-507/47	16-63-557/47	16-63-657/47
	1	Housing DA32 1+2+3+4S		16-64-407/47	16-64-457/47	16-64-507/47	16-64-557/47	16-64-657/47
3	1	Lower Valve Shaft		16-22-393/42	16-22-443/42	16-22-518/42	16-22-568/42	16-22-668/42
4	1	Guide Rod		16-24-392/42	16-24-442/42	16-24-517/42	16-24-567/42	16-24-642/42
5	1	Upper Valve Shaft		16-22-210/42	16-22-211/42	16-22-212/42	16-22-214/42	16-22-216/42
6	1	Valve Seal With Rinse Chamber		16-37-394/43	16-37-444/43	16-37-519/43	16-37-569/43	16-37-644/43
7	4	Hex. Screw		65-01-079/15	65-01-079/15	65-01-079/15	65-01-079/15	65-01-079/15
8	1	Spring Actuator		16-30-094/17	16-30-094/17	16-30-094/17	16-30-094/17	16-30-095/17
9	1	Main Actuator		15-31-239/93	15-31-239/93	15-31-239/93	15-31-239/93	15-31-240/93
10	1	Seat Lifting device		16-30-225/93	16-30-225/93	16-30-225/93	16-30-225/93	16-30-226/93
11	1	Stop Sleeve		16-28-260/93	16-28-260/93	16-28-260/93	16-28-260/93	16-28-260/93
12	3	Union		08-63-010/93	08-63-010/93	08-63-010/93	08-63-010/93	08-63-010/93
13	2	Mounting Block		15-33-918/93	15-33-918/93	15-33-918/93	15-33-918/93	15-33-918/93
14	1	Venting Plug		08-60-005/93	08-60-005/93	08-60-005/93	08-60-005/93	08-60-005/93
15	1	Cap		08-05-066/93	08-05-066/93	08-05-066/93	08-05-066/93	08-05-066/93
16	1	Stop Nut		65-50-137/15	65-50-137/15	65-50-137/15	65-50-137/15	65-50-137/15
17	1	Lock Washer		67-03-001/15	67-03-001/15	67-03-001/15	67-03-001/15	67-03-001/15
18	1	Quadring		58-01-237/83	58-01-237/83	58-01-237/83	58-01-237/83	58-01-237/83
19	4	Hex. Screw		65-01-114/15	65-01-114/15	65-01-114/15	65-01-114/15	65-01-113/15
20	1	Piston Shaft for Seat Lifting Device		16-29-065/17	16-29-065/17	16-29-065/17	16-29-065/17	16-29-066/17
21	1	PTFE Driving Band		08-39-187/93	08-39-187/93	08-39-187/93	08-39-187/93	08-39-187/93
22	3	Quadring		58-01-236/83	58-01-236/83	58-01-236/83	58-01-236/83	58-01-236/83
23	2	Piston Seal		58-01-760/83	58-01-760/83	58-01-760/83	58-01-760/83	58-01-761/83
24	1	Cyl. Pin		67-15-055/12	67-15-055/12	67-15-055/12	67-15-055/12	67-15-055/12
25	2	O-Ring		58-06-372/83	58-06-372/83	58-06-372/83	58-06-372/83	58-06-493/83





Double Seat Valve - Delta DA3 (contd)

			DOUBLE SEAT VALVE DA3 DN 1.5-4 TUBE					
			1T	1.5T	2T	2.5T	3T	4T
Pos	Qty	Description	Ref No.					
26	1	Piston for Main Actuator		16-29-070/12	16-29-070/12	16-29-070/12	16-29-070/12	16-29-071/12
27	1	Cover for Main Actuator		16-00-209/93	16-00-208/93	16-00-207/93	16-29-070/12	16-00-210/93
28	1	Retainer Ring		08-39-083/13	08-39-083/13	08-39-083/13	08-39-083/13	08-39-083/13
29	1	PTFE Driving Band		08-39-198/93	08-39-198/93	08-39-198/93	08-39-198/93	08-39-188/93
30	1	Quadring		58-01-329/93	58-01-329/93	58-01-329/93	58-01-329/93	58-01-238/64
31	1	O-Ring		58-06-029/64	58-06-029/64	58-06-029/64	58-06-029/64	58-06-029/64
32	2	Housing Seal *		58-33-542/	58-33-542/	58-33-542/	58-33-542/	58-33-642
33	2	Seat Seal *		58-33-493/	58-33-493/	58-33-493/	58-33-493/	58-33-643/
34	2	Shaft Seal		58-33-016/26	58-33-016/26	58-33-016/26	58-33-016/26	58-33017/26
35	1	Guide Ring		08-39-080/93	08-39-080/93	08-39-080/93	08-39-080/93	08-39-080/93
36	2	Seat Seal *		58-33-044/	58-33-044/	58-33-044/	58-33-044/	58-33-045/
37	1	Seat Ring		16-00-190/42	16-00-190/42	16-00-190/42	16-00-190/42	16-00-191/42
38	1	Seal *		58-33-047/	58-33-047/	58-33-047/	58-33-047/	58-33-048/
39	2	O-Ring		58-06-040/63	58-06-040/63	58-06-040/63	58-06-040/63	58-06-040/63
40	1	O-Ring		58-06-295/63	58-06-295/63	58-06-295/63	58-06-295/63	58-06-490/63
41	1	Locking Plug		08-74-014/93	08-74-014/93	08-74-014/93	08-74-014/93	08-74-014/93
42	1	Self-Locking Nut		65-50-087/15	65-50-087/15	65-50-087/15	65-50-087/15	65-50-087/15
43	1	Straight Union		08-63-003/13	08-63-003/13	08-63-003/13	08-63-003/13	08-63-003/13
	1	Seal Kit Viton		58-34-686/00	58-34-686/00	58-34-686/00	58-34-686/00	58-34-689/00
	1	Seal Kit EPDM		58-34-686/01	58-34-686/01	58-34-686/01	58-34-686/01	58-34-689/01
	1	Seal Kit Silicone		58-34-686/02	58-34-686/02	58-34-686/02	58-34-686/02	58-34-689/02
	1	Seal Kit HNBR		58-34-686/06	58-34-686/06	58-34-686/06	58-34-686/06	58-34-689/06

			DOUBLE SEAT VALVE DA3 DN 1.5-4 TUBE					
			25	40	50	65	80	100
Pos	Qty	Description	Ref No.					
2	1	Housing DA31 1+2S		16-61-382/47	16-61-432/47	16-61-482/47	16-61-532/47	16-61-632/47
	1	Housing DA32 1+2+3S		16-62-382/47	16-62-432/47	16-61-482/47	16-61-532/47	16-61-632/47
	1	Housing DA33 1+2+3S		16-62-382/47	16-61-432/47	16-61-482/47	16-61-532/47	16-61-632/47
	1	Housing DA32 1+2+3+4S		16-62-382/47	16-61-432/47	16-61-482/47	16-61-532/47	16-61-632/47
3	1	Lower Valve Shaft		16-22-393/42	16-22-443/42	16-22-493/42	16-22-543/42	16-22-668/42
4	1	Guide Rod		16-24-392/42	16-24-442/42	16-24-492/42	16-24-542/42	16-24-642/42
5	1	Upper Valve Shaft		16-22-210/42	16-22-211/42	16-22-213/42	16-22-215/42	16-22-216/42