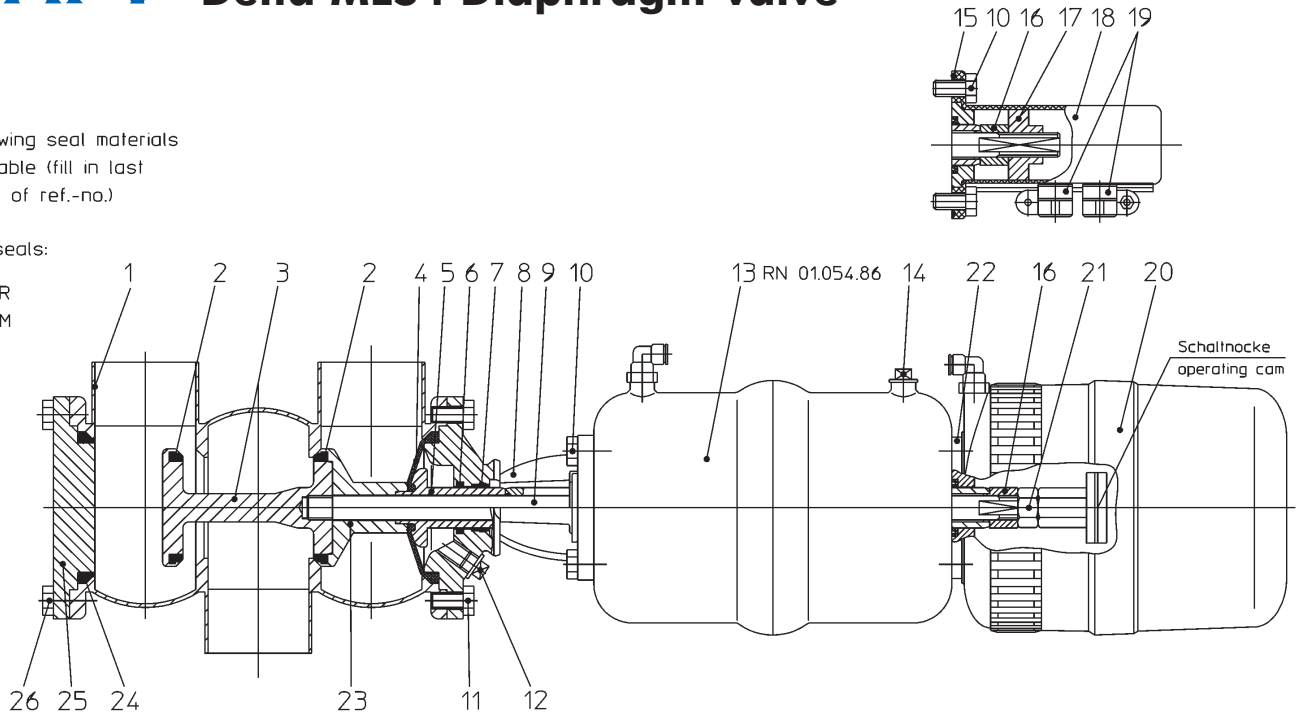


## Delta MES4 Diaphragm Valve

The following seal materials are available (fill in last two digits of ref.-no.)

\* material seals:

.../33-HNBR  
.../93-EPDM



		DELTA M4 DIAPHRAGM VALVE MES4, FS-CU21 & PSH 1-4 TUBE							
				1T	1.5T	2T	2.5T	3T	4T
Pos	Qty	Description		Part Number					
1	1	Housing	ME45 1+2+3S	39-49-320/47	39-49-420/47	39-49-470/47	39-49-520/47	39-49-570/47	39-49-670/47
	1	Housing	ME46 1+2+3+4S	39-50-320/47	39-50-420/47	39-50-470/47	39-50-520/47	39-50-570/47	39-50-670/47
2	2	Seat Seal	*	58-33-293/	58-33-393/	58-33-443/	58-33-493/	58-33-568/	58-33-643/
3	1	Lower Valve Shaft		39-22-816/42	39-22-817/42	39-22-818/42	39-22-819/42	39-22-820/42	39-22-821/42
4	1	Diaphragm		58-23-295/23	58-23-395/23	58-23-395/23	58-23-495/23	58-23-495/23	58-23-645/23
5	1	Upper Valve Shaft		39-22-296/42	39-22-396/42	39-22-396/42	39-22-496/42	39-22-496/42	39-22-646/42
6	1	O-Ring		58-06-052/83	58-06-078/64	58-06-078/64	58-06-078/64	58-06-078/64	58-06-078/64
7	1	Bushing		08-01-177/93	08-01-178/93	08-01-178/93	08-01-178/93	08-01-178/93	08-01-178/93
8	1	Yoke		39-40-295/47	39-40-395/47	39-40-395/47	39-40-495/47	39-40-570/47	39-40-645/47
9	1	Guide Rod		39-23-050/12	39-23-051/12	39-23-052/12	39-23-053/12	39-23-058/12	39-23-055/12
10	4	Hex. Screw		65-01-081/15	65-01-081/15	65-01-081/15	65-01-081/15	65-01-081/15	65-01-081/15
11	4	Hex. Screw		65-01-055/13	65-01-081/13	65-01-081/13	65-01-081/13	65-01-081/13	65-01-130/13
12	1	Venting Plug		08-60-005/94	08-60-005/94	08-60-005/94	08-60-005/94	08-60-005/94	08-60-005/94
13	1	Actuator		15-32-050/17	15-32-051/17	15-32-051/17	15-32-051/17	15-32-052/17	15-32-052/17
14	1	Venting Plug		08-60-005/93	08-60-005/93	08-60-005/93	08-60-005/93	08-60-005/93	08-60-005/93
15	1	O-Ring		58-06-297/83	58-06-297/83	58-06-297/83	58-06-297/83	58-06-297/83	58-06-297/83
16	1	Centering Nut		15-28-940/12	15-28-940/12	15-28-940/12	15-28-940/12	15-28-940/12	15-28-940/12
17	1	Operating Cam		08-52-290/87	08-52-291/87	08-52-291/87	08-52-291/87	08-52-291/87	08-52-291/87
18	1	Proximity Switch Holder Housing-SW4		15-33-932/93	15-33-932/93	15-33-932/93	15-33-932/93	15-33-932/93	15-33-932/93
19	2	Proximity Holder		15-33-933/93	15-33-933/93	15-33-933/93	15-33-933/93	15-33-933/93	15-33-933/93
20	1	Control-Unit		322000804432	322000804432	322000804432	322000804432	322000804432	322000804432
21	1	Hex. Nut		65-50-101/15	65-50-101/15	65-50-101/15	65-50-101/15	65-50-101/15	65-50-101/15
22	1	CU-Adapter		322000801192	322000801192	322000801192	322000801192	322000801192	322000801192
23	1	Middle Valve Shaft		39-22-824/42	39-22-825/42	39-22-826/42	39-22-827/42	39-22-828/42	39-22-829/42
24	1	O-Ring		58-06-157/64	58-06-279/63	58-06-279/63	58-06-331/63	58-06-331/63	58-06-579/73
25	1	Housing Lid		39-01-230/47	39-01-138/47	39-01-138/47	39-01-139/47	39-01-144/47	39-01-143/47
26	4	Housing Screw		65-01-055/13	65-01-079/15	65-01-079/15	65-01-079/15	65-01-079/15	65-01-129/15
	1	Seal Kit	EPDM	58-34-375/01	58-34-376/01	58-34-377/01	58-34-378/01	58-34-379/01	58-34-381/01
	1	Seal Kit	HNBR	58-34-375/06	58-34-376/06	58-34-377/06	58-34-378/06	58-34-379/06	58-34-381/06