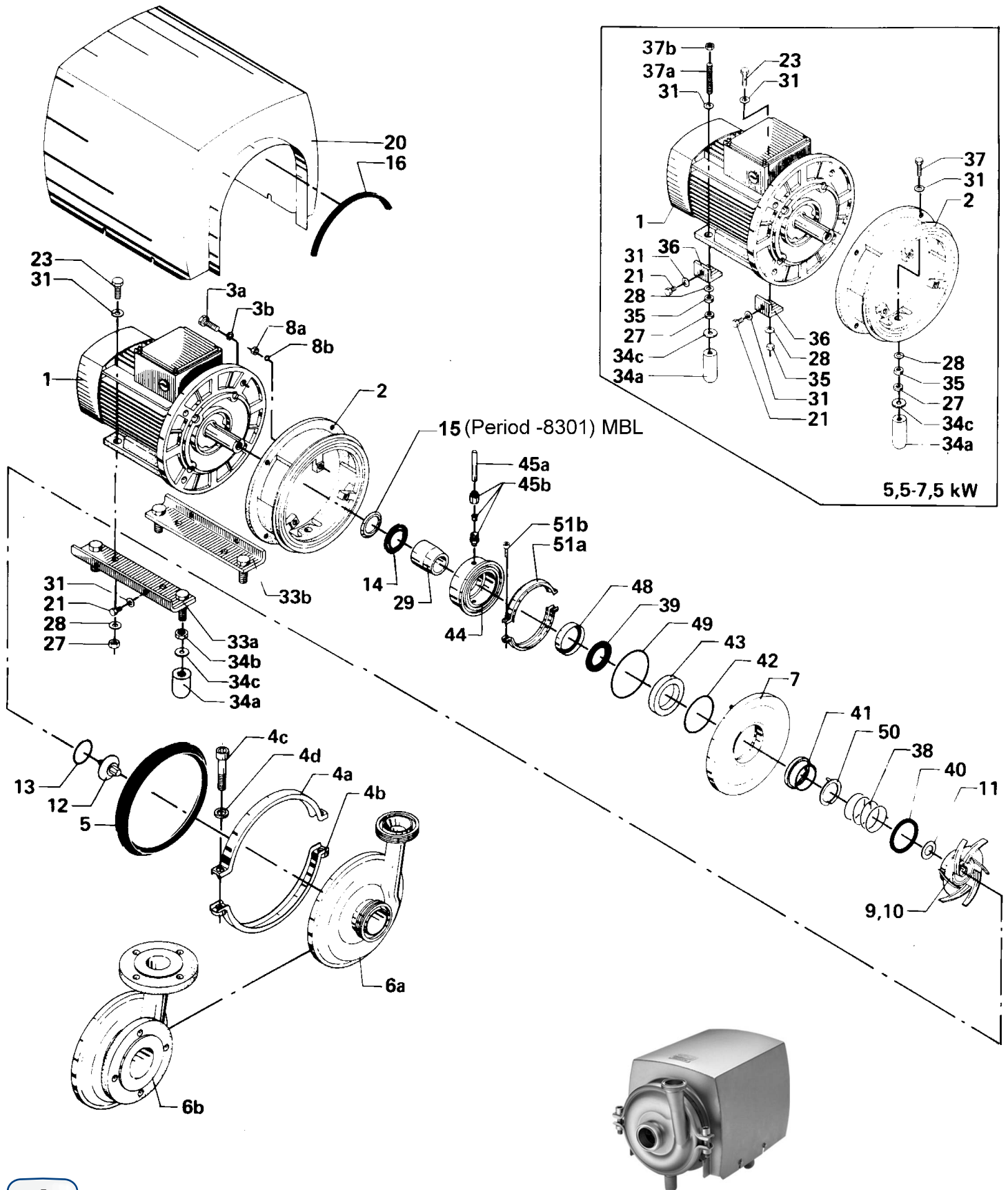


Centrifugal Pump – Flushed Shaft Seal
Type ALC-1



Centrifugal Pump – Flushed Shaft Seal Type ALC-1



Pos.	Qty.	Denomination	Motors: 3000 r/min, 3-phase AC, 50 Hz					
			1.5 kW	2.2 kW	3 kW	4 kW	5.5 kW	7.5 kW
1	1	M2AA motor, 220-240/380-420 V (Period 9310-)				9612-4028-07	9612-4028-15	9612-4028-30
1	1	M2AA motor, 380-420/660 V (Period 9310-)				9612-4028-09	9612-4028-17	9612-4028-32
1	1	MBT motor, 220-240/380-420 V (Period -9310 not available anymore)	31801-1983-1	31801-1984-1		*31801-1985-1	*31801-1865-1	*31801-1866-1
1	1	MBT motor, 380-420/660 V (Period -9310 not available anymore)	31801-1983-2	31801-1984-2		*31801-1985-3	*31801-1865-3	*31801-1866-3
2	1	Adaptor	31460-0128-1	31460-0128-1	31460-0127-1	31460-0127-1	31460-0126-1	31460-0126-1
3a	4	Screw	9611-99-1823	9611-99-1823	9611-99-1217	9611-99-1217	9611-99-1825	9611-99-1825
3b	4	Spring washer	9611-99-1887	9611-99-1887	9611-99-0676	9611-99-0676	9611-99-0676	9611-99-0676
4a	1	Clamp, upper half	31460-0214-1	31460-0214-1	31460-0214-1	31460-0214-1	31460-0214-1	31460-0214-1
4b	1	Clamp, lower half	31460-0213-1	31460-0213-1	31460-0213-1	31460-0213-1	31460-0213-1	31460-0213-1
4c	2	Screw	9611-99-1889	9611-99-1889	9611-99-1889	9611-99-1889	9611-99-1889	9611-99-1889
4d	2	Washer	31460-0101-1	31460-0101-1	31460-0101-1	31460-0101-1	31460-0101-1	31460-0101-1
5	Δ 1	Joint ring, EPDM (Standard)	31460-0124-1	31460-0124-1	31460-0124-1	31460-0124-1	31460-0124-1	31460-0124-1
1	1	Joint ring, NBR	31460-0124-2	31460-0124-2	31460-0124-2	31460-0124-2	31460-0124-2	31460-0124-2
1	1	Joint ring, FPM	31460-0124-3	31460-0124-3	31460-0124-3	31460-0124-3	31460-0124-3	31460-0124-3
6a	1	Pump casing with sanitary fittings 53.5 mm inlet/51 mm outlet						
		ISO male	31460-0400-1	31460-0400-1	31460-0400-1	31460-0400-1	31460-0400-1	31460-0400-1
		SMS	31460-0400-2	31460-0400-2	31460-0400-2	31460-0400-2	31460-0400-2	31460-0400-2
		DIN	31460-0400-3	31460-0400-3	31460-0400-3	31460-0400-3	31460-0400-3	31460-0400-3
		ISO clamp	31460-0400-4	31460-0400-4	31460-0400-4	31460-0400-4	31460-0400-4	31460-0400-4
		BS	31460-0400-5	31460-0400-5	31460-0400-5	31460-0400-5	31460-0400-5	31460-0400-5
6b	1	Pump casing with flanges DN 55 inlet/DN 50 outlet	31460-0323-2	31460-0323-2	31460-0323-2	31460-0323-2	31460-0323-2	31460-0323-2
7	1	Back plate	31460-0173-3	31460-0173-3	31460-0173-3	31460-0173-3	31460-0112-1	31460-0112-1
8a	3	Nut	221803-28	221803-28	221803-28	221803-28	221803-28	221803-28
8b	3	Spring washer	223107-25	223107-25	223107-25	223107-25	223107-25	223107-25
9*	1	Impeller, diameter 162 mm	31460-0120-1	31460-0120-1	31460-0120-1	31460-0119-1	31460-0119-1	31460-0119-1
1	1	Impeller, diameter 120 mm	31460-0163-1	31460-0163-1	31460-0162-1	31460-0162-1	31460-0162-1	31460-0162-1
10	1	Key (inside the impeller) (ts included in pos 9)	31460-0139-1	31460-0139-1	31460-0139-1	31460-0139-1	31460-0063-1	31460-0063-1
11	1-2	Shim 0.1 mm	31460-0012-1	31460-0012-1	31460-0012-2	31460-0012-2	31460-0012-3	31460-0012-3
1	2-3	Shim 0.5 mm	31460-0011-1	31460-0011-1	31460-0011-2	31460-0011-2	31460-0011-3	31460-0011-3
12	1	Impeller screw	31460-0140-4	31460-0140-4	31460-0140-3	31460-0140-3	31460-0140-1	31460-0140-1
		Impeller screw for MBT 132 motor (Period -9310)						
13a	1	O-ring, EPDM (Standard)	990014-14	990014-14	990014-14	990014-14	990014-14	990014-14
1	1	O-ring, NBR	223406-61	223406-61	223406-61	223406-61	223406-61	223406-61
1	1	O-ring, FPM	260104-08	260104-08	260104-08	260104-08	260104-08	260104-08
14	1	Thrower	31460-0143-1	31460-0143-1	31460-0375-4	31460-0375-4	31460-0375-3	31460-0375-3
15	1	Seal ring (Period to 8301)	31801-2476-1	31801-2476-1	31801-2476-2	31801-2476-2	31801-2476-2	31801-2476-3
16	1	Edge list (Included in pos. 20)						

* If reduced impeller diameter, please state diameter.

Accessories (Delivered with the pump)

1	Key for hexagonal socket screw	66884
1	Impeller tool	31460-0050-1

Δ	Service kit, EPDM	9611-92-2047	9611-92-2047	9611-92-2048	9611-92-2048	9611-92-2049	9611-92-2049
Δ	Service kit, NBR	9611-92-2050	9611-92-2050	9611-92-2051	9611-92-2051	9611-92-2052	9611-92-2052
Δ	Service kit, FPM	9611-92-2053	9611-92-2053	9611-92-2054	9611-92-2054	9611-92-2055	9611-92-2055

Parts marked with Δ are included in the service kit.

Recommended spare parts: Service kit

Pos.	Qty.	Denomination	1.5-2.2 kW		
			3-4 kW	5.5-7.5 kW	
Parts for Flushed Shaft Seal					
29	1	Shaft sleeve	31460-0174-1	31460-0176-1	31460-0223-1
51a+b	1	Clamps and screws (Period 9209-)	31320-0027-2	31320-0027-2	31320-0027-2
51a	2	Clamp half (Period -9209)	31320-0021-1	31320-0021-1	31320-0021-1
51b	2	Screw (Period -9209)	2210936-18	2210936-18	2210936-18
39a	1	Seal, EPDM (Standard)	31460-0145-1	31460-0144-1	31460-0059-1
1	1	Seal, NBR	31460-0145-2	31460-0144-2	31460-0059-2
1	1	Seal, FPM	31460-0145-3	31460-0144-3	31460-0059-3
44	1	Seal housing	31460-0172-1	31460-0172-1	31460-0222-1
45a	2	Flushing tube	31439-0122-5	31439-0122-5	31439-0122-5
45b	2	Fitting	42368	42368	42368

Pos.	Qty.	Denomination	EPDM			NBR			FPM		
			1.5-2.2 kW	3-4 kW	5.5-7.5 kW	1.5-2.2 kW	3-4 kW	5.5-7.5 kW	1.5-2.2 kW	3-4 kW	5.5-7.5 kW
Δ Flushed Shaft Seal 1.5-4 kW											
38	1	Shaft seal, complete	31460-0169-1	31460-0169-2	31460-0169-3	31460-0169-1	31460-0169-2	31460-0169-3	31460-0169-1	31460-0169-2	31460-0169-3
40	1	Spring	31460-0199-1	31460-0199-1	31460-0199-1	31460-0199-1	31460-0199-1	31460-0199-1	31460-0199-1	31460-0199-1	31460-0199-1
41	1	O-ring	990051-02	990051-01	990051-03	990051-02	990051-01	990051-03	990051-02	990051-01	990051-03
42	1	Rotating seal ring	31460-0028-1	31460-0028-1	31460-0028-1	31460-0028-1	31460-0028-1	31460-0028-1	31460-0028-1	31460-0028-1	31460-0028-1
43	1	O-ring	990014-11	990014-10	990014-12	990014-11	990014-10	990014-12	990014-11	990014-10	990014-12
43	1	Stationary seal ring	31460-0022-4	31460-0022-4	31460-0022-4	31460-0022-4	31460-0022-4	31460-0022-4	31460-0022-4	31460-0022-4	31460-0022-4
48	1	Lip seal	31446-0088-2	31446-0088-2	31446-0088-2	31446-0088-1	31446-0088-1	31446-0088-1	31446-0088-2	31446-0088-2	31446-0088-2
49	1	O-ring	260104-25	260104-25	260104-25	260104-25	260104-25	260104-25	260104-25	260104-25	260104-25
50	1	Drive washer	31460-0198-1	31460-0198-1	31460-0198-1	31460-0198-1	31460-0198-1	31460-0198-1	31460-0198-1	31460-0198-1	31460-0198-1
Δ Flushed Shaft Seal 5.5-7.5 kW											
38	1	Shaft seal, complete	31460-0268-1	31460-0268-2	31460-0268-3	31460-0268-1	31460-0268-2	31460-0268-3	31460-0268-1	31460-0268-2	31460-0268-3
40	1	Spring	31460-0199-1	31460-0199-1	31460-0199-1	31460-0199-1	31460-0199-1	31460-0199-1	31460-0199-1	31460-0199-1	31460-0199-1
40	1	O-ring	990051-02	990051-01	990051-03	990051-02	990051-01	990051-03	990051-02	990051-01	990051-03
41	1	Rotating seal ring	31460-0028-1	31460-0028-1	31460-0028-1	31460-0028-1	31460-0028-1	31460-0028-1	31460-0028-1	31460-0028-1	31460-0028-1
42	1	O-ring	990014-11	990014-10	990014-12	990014-11	990014-10	990014-12	990014-11	990014-10	990014-12
43	1	Stationary seal ring	31460-0022-4	31460-0022-4	31460-0022-4	31460-0022-4	31460-0022-4	31460-0022-4	31460-0022-4	31460-0022-4	31460-0022-4
48	1	Lip seal	31446-0088-2	31446-0088-2	31446-0088-2	31446-0088-1	31446-0088-1	31446-0088-1	31446-0088-2	31446-0088-2	31446-0088-2
49	1	O-ring	260104-25	260104-25	260104-25	260104-25	260104-25	260104-25	260104-25	260104-25	260104-25
50	1	Drive washer	31460-0198-1	31460-0198-1	31460-0198-1	31460-0198-1	31460-0198-1	31460-0198-1	31460-0198-1	31460-0198-1	31460-0198-1

Alternative					
41*	1	Rotating seal ring, silicone carbide	31460-0028-2	31460-0028-2	31460-0028-2

Pos.	Qty.	Denomination	(Period 8609-)		(Period 8701-)		(Period 8606-)	
			1.5-2.2 kW	3 kW	4 kW	5.5 kW-7.5 kW		
Shroud								
20	1	Shroud	31460-0186-1	31460-0187-1	31460-0187-1	31460-0189-1	31460-0189-1	31460-0189-1
21	4	Screw	9611-99-1824	9611-99-1824	9611-99-1824	9611-99-1824	9611-99-1824	9611-99-1824
31	4	Washer	9611-99-1831	9611-99-1831	9611-99-1831	9611-99-1831	9611-99-1831	9611-99-1831
Legs								
23*	(4)2	Screw	9611-99-1176	9611-99-1825	9611-99-1825	9611-99-1825	9611-99-1825	9611-99-1825
27*	(4)2	Nut	9611-99-0360	9611-99-0587	9611-99-0587	9611-99-0587	9611-99-0587	9611-99-0587
28*	(4)5	Spring washer	9611-99-1888	9611-99-0676	9611-99-0676	9611-99-0676	9611-99-0676	9611-99-0676
31*	(4)5	Washer	9611-99-1831	9611-99-0706	9611-99-0706	9611-99-0706	9611-99-0706	9611-99-0706
33a	1	Leg bracket, left	31460-0258-2	31460-0258-4	31460-0258-6	31460-0258-6	31460-0258-6	31460-0258-6
33b	1	Leg bracket, right	31460-0258-1	31460-0258-3	31460-0258-5	31460-0258-5	31460-0258-5	31460-0258-5

**Centrifugal Pump
Type ALC-1**



Older legs

Pos.	Qty.	Denomination	(Period - 8609) 1.5-2.2 kW	(Period - 8609) 3 kW	(Period - 8701) 4 kW	(Period - 8606) 5-7.5 kW
Legs						
1	4	Screw	9611-99-1825	9611-99-1825	9611-99-1825	9611-99-1834
2	4	Washer	9611-99-1831	9611-99-0706	9611-99-0706	9611-99-0706
3	2	Leg bracket				31460-0232-1
4	4	Spring washer	9611-99-1888	9611-99-0676	9611-99-0676	9611-99-0676
5	4	Nut	9611-99-0360	9611-99-0587	9611-99-0587	9611-99-0587
6	4	Leg	31460-0241-1	31460-0241-2	31460-0241-3	31460-0241-4
7	4	Nut	990092-01	990092-01	990092-01	990092-01
8	1	Leg bracket, left	31460-0231-1	31460-0231-3	31460-0231-5	
9	1	Leg bracket, right	31460-0231-2	31460-0231-4	31460-0231-6	
10	4	Washer	31460-0104-1	31460-0104-1	31460-0104-1	31460-0104-1

