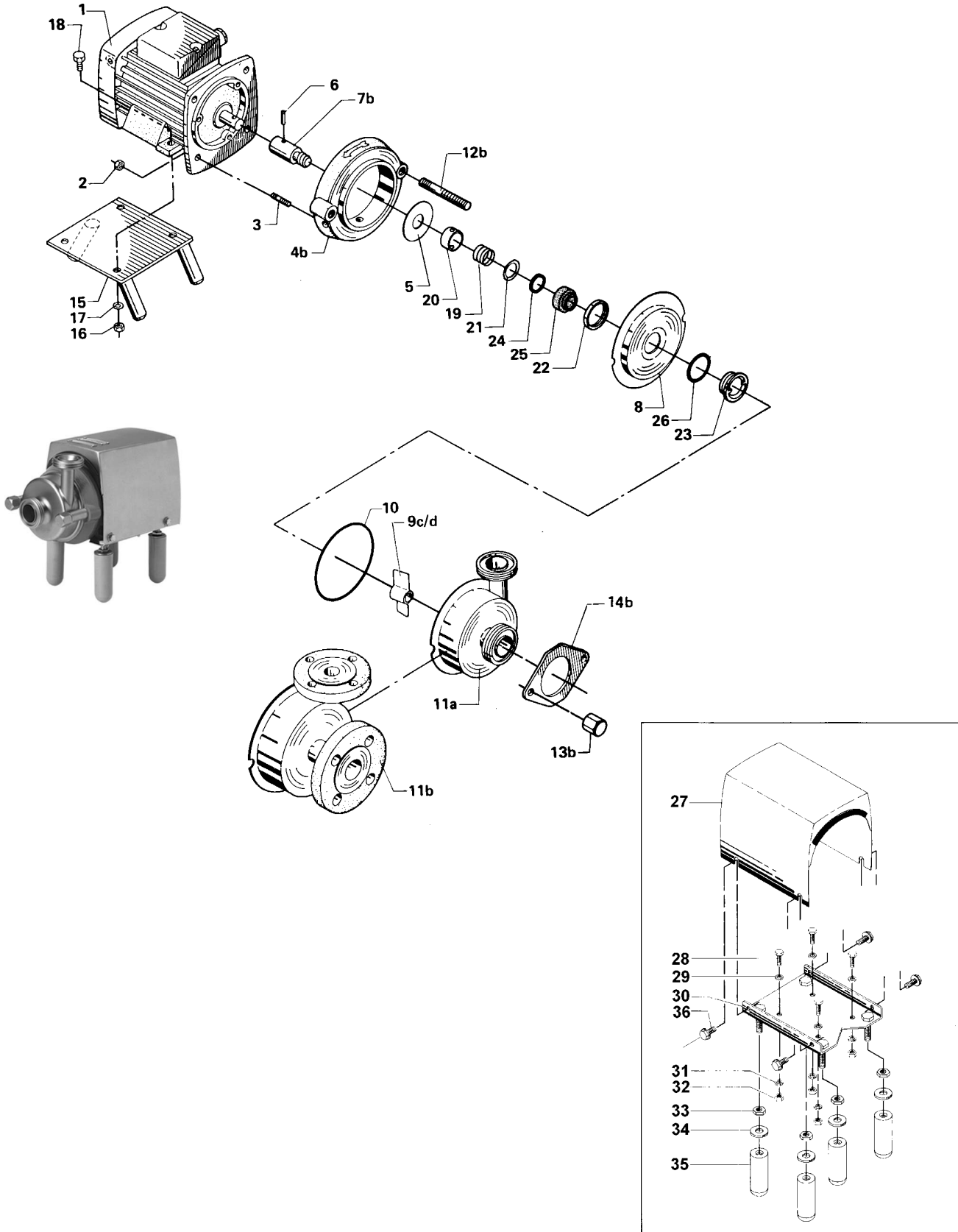


Centrifugal Pump
 Type GM-A



**Centrifugal Pump
Type GM-A**



Pos.	Qty.	Denomination	GM-1A & 2A
1	1	Motor 0.55 kW 220-240/380-420 V (Standard)	31801-2461-1
2	4	Nut	2218043-03
3	4	Stud bolt	2216221-03
4b	1	Adaptor	31456-0040-1
5	1	Thrower	31437-0038-1
6	1	Tubular spring pin	222119-20
7b	1	Pump shaft	31456-0044-1
8	1	Back plate	31456-0035-1
9c*	1	Impeller GMI-1A, ø95 mm (standard)	9612-1868-02
		(AISI 316)	
	1	Impeller GMI-1A, 4 bladed, ø95 mm	9612-3550-01
9d*	1	Impeller GMI-2A, ø115 mm (standard)	9612-1868-01
		(AISI 316)	
	1	Impeller GMI-2A, 4 bladed, ø115 mm	9612-3549-01
10A	1	O-ring, NBR (Standard)	223412-75
	1	O-ring, EPDM	2234121-75
	1	O-ring, FPM	223412-76
	1	O-ring, PTFE	31456-0060-1
11a	1	Pump casing with sanitary fittings 38 mm inlet and outlet	
		ISO male	31456-0050-1
		SMS	31456-0050-2
		DIN	31456-0050-3
		ISO clamp	31456-0050-4
		BS	31456-0050-5
11b	1	Pump casing with flanges DN 32 inlet/DN 25 outlet	31456-0068-1
12b	2	Stud bolt	9612-3635-05
13b	2	Cap nut	110102
14b	1	Yoke	31457-0050-1
15	1	Legs, complete (not standard)	31456-0028-1
16	4	Nut	2218043-02
17	4	Washer	223101-48
18	4	Screw	2210935-01
22	1	Nut	31437-0120-1

* Sometimes reduced impeller diameter. Check the diameter of the original impeller.

Shroud and legs

27	1	Shroud complete	31456-0131-1
28	4	Screw	9611-99-0456
29	4	Washer	9611-99-0752
30	1	Mounting frame complete	31456-0132-1
31	4	Washer	22310725
32	4	Nut	9611-99-0252
33	4	Nut	9611-99-1829
34	4	Washer	31460-0104-1
35	4	Legs	31460-1248-1
36	4	Screw	9611-99-3240

Optional extras:

Shroud and legs kit	9611-92-1044
---------------------	--------------

Recommended spare parts: **Service kit**

Pos.	Qty.	Denomination	GM-1A & 2A
Δ		Shaft seal, complete, NBR (Standard)	9612-4391-01
19	1	Spring	104154
20	1	Spacer	31437-0212-1
21	1	Washer	104125
23	1	Stationary seal ring SiC	31437-0225-1
24	1	O-ring	31439-0168-1
25	1	Rotating seal ring	31437-0211-1
26	1	Seal, NBR	31437-0121-1
Δ		Shaft seal, complete, EPDM	9612-4391-03
19	1	Spring	104154
20	1	Spacer	31437-0212-1
21	1	Washer	104125
23	1	Stationary seal ring SiC	31437-0225-1
24	1	O-ring	31439-0168-4
25	1	Rotating seal ring	31437-0211-1
26	1	Seal, PTFE	31437-0121-3
Δ		Shaft seal, complete, FPM	9612-4391-04
19	1	Spring	104154
20	1	Spacer	31437-0212-1
21	1	Washer	104125
23	1	Stationary seal ring SiC	31437-0225-1
24	1	O-ring	31439-0168-5
25	1	Rotating seal ring	31437-0211-1
26	1	Seal, PTFE	31437-0121-3
Δ		Shaft seal, complete, PTFE	9612-4391-02
19	1	Spring	104154
20	1	Spacer	31437-0212-1
21	1	Washer	104125
23	1	Stationary seal ring sic	31437-0225-1
24	1	O-ring	31439-0168-3
25	1	Rotating seal ring	31437-0211-1
26	1	Seal, PTFE	31437-0121-3
Δ		Service kit, NBR	9611-92-1046
Δ		Service kit, EPDM	9611-92-1047
Δ		Service kit, FPM	9611-92-1048
Δ		Service kit, PTFE	9611-92-1049

Parts marked with Δ are included in the **Service kits**.

Pos.	Qty.	Denomination	GM-1 & 2
Alternatives			
		Shaft seal, complete, NBR (Standard)	9612-4391-05
19	1	Spring	104154
20	1	Spacer	31437-0212-1
21	1	Washer	104125
23	1	Stationary seal ring SiC	31437-0225-1
24	1	O-ring	31439-0168-1
25	1	Rotating seal ring SiC	31437-0211-4
26	1	Seal, NBR	31437-0121-1
		Shaft seal, complete, EPDM	9612-4391-07
19	1	Spring	104154
20	1	Spacer	31437-0212-1
21	1	Washer	104125
23	1	Stationary seal ring SiC	31437-0225-1
24	1	O-ring	31439-0168-4
25	1	Rotating seal ring SiC	31437-0211-4
26	1	Seal, PTFE	31437-0121-3
		Shaft seal, complete, FPM	9612-4391-08
19	1	Spring	104154
20	1	Spacer	31437-0212-1
21	1	Washer	104125
23	1	Stationary seal ring SiC	31437-0225-1
24	1	O-ring	31439-0168-5
25	1	Rotating seal ring SiC	31437-0211-4
26	1	Seal, PTFE	31437-0121-3
		Shaft seal, complete, PTFE	9612-4391-06
19	1	Spring	104154
20	1	Spacer	31437-0212-1
21	1	Washer	104125
23	1	Stationary seal ring SiC	31437-0225-1
24	1	O-ring	31439-0168-3
25	1	Rotating seal ring SiC	31437-0211-4
26	1	Seal, PTFE	31437-0121-3