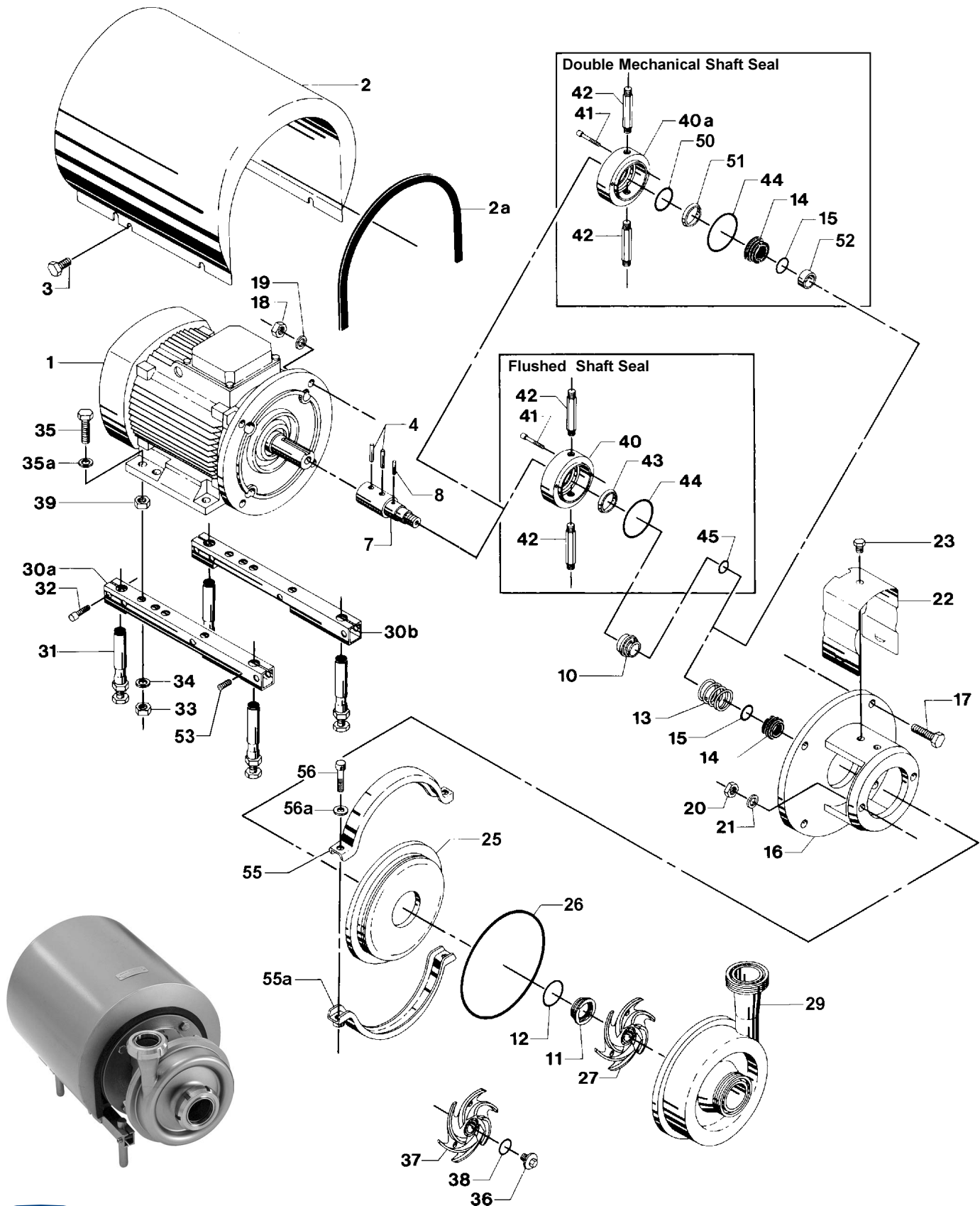


Centrifugal Pump, Type LKH-5
Single, flushed and double mechanical shaft seal



Centrifugal Pump, Type LKH-5

Single, flushed and double mechanical shaft seal



| Pos. | Qty. | Denomination | 0.75-1.1 kW | 1.5-2.2 kW |
|------|------|---------------------------------------|--------------|--------------|
| 3 | 4 | Screw | 9611-99-3240 | 9611-99-3240 |
| 2 | 1 | Shroud | 9612-1390-26 | 9612-1390-01 |
| 2a | 1 | Edge list (included in pos.2) | | |
| 4 | 2 | Screw | 9612-5875-01 | 9612-5875-02 |
| 7 | 1 | Shaft and pin (pos.8) | 9612-5881-01 | 9612-5882-01 |
| 8 | 1 | Connex pin | 9611-99-0622 | 9611-99-0622 |
| 10 | 1 | Drive ring, Single shaft seal | 9612-1377-01 | 9612-1377-01 |
| | 1 | Drive ring, Flushed shaft seal | 9612-1397-01 | 9612-1397-01 |
| 16 | 1 | Adaptor | 9612-5879-01 | 9612-5879-01 |
| 17 | 4 | Screw for adaptor | 9611-99-1911 | 9611-99-1911 |
| 18 | 4 | Nut for adaptor | 9611-99-0353 | 9611-99-0353 |
| 19 | 4 | Washer for adaptor | 9611-99-1887 | 9611-99-1887 |
| 20 | 2 | Nut | 9611-99-0360 | 9611-99-0360 |
| 21 | 2 | Washer | 9611-99-1831 | 9611-99-1831 |
| 22 | 1 | Safety guard | 9612-5939-01 | 9612-5939-01 |
| 23 | 1 | Screw for safety guard | 9611-99-3239 | 9611-99-3239 |
| 56 | 2 | Screw | 9611-99-1126 | 9611-99-1126 |
| 56a | 2 | Spring washer | 9611-99-1888 | 9611-99-1888 |
| 55 | 1 | Upper clamp | 9612-5895-02 | 9612-5895-02 |
| 55a | 1 | Lower clamp | 9612-5896-02 | 9612-5896-02 |
| 25 | 1 | Back plate | 9612-1384-28 | 9612-1384-28 |
| 26 | 1 | O-ring, EPDM, (standard) | 9611-99-3560 | 9611-99-3560 |
| | 1 | O-ring, NBR | 9611-99-3561 | 9611-99-3561 |
| | 1 | O-ring, FPM | 9611-99-3562 | 9611-99-3562 |
| | 1 | O-ring, FEP | 9611-99-3563 | 9611-99-3563 |
| 27 | 1 | Impeller | 9612-5876-01 | 9612-5876-01 |
| 29 | 1 | Pump casing, IDF | 9612-4924-25 | 9612-4924-25 |
| | 1 | Pump casing, SMS | 9612-4924-26 | 9612-4924-26 |
| | 1 | Pump casing, DIN | 9612-4924-27 | 9612-4924-27 |
| | 1 | Pump casing, ISO | 9612-4924-28 | 9612-4924-28 |
| | 1 | Pump casing, BS | 9612-4924-29 | 9612-4924-29 |
| | 1 | Pump casing, DS | 9612-4924-30 | 9612-4924-30 |
| | 1 | Pump casing, flange | 9612-1380-14 | 9612-1380-14 |
| Legs | | | | |
| 30a | 1 | Support bar, right | 9612-1322-01 | 9612-1322-01 |
| 30b | 1 | Support bar, left | 9612-1323-01 | 9612-1323-01 |
| 31 | 4 | leg | 9612-3967-01 | 9612-3967-01 |
| 32 | 4 | Screw | 9611-99-1126 | 9611-99-1126 |
| 33 | 4 | Nut | 9611-99-0360 | 9611-99-0360 |
| 34 | 4 | Spring washer | 9611-99-1888 | 9611-99-1888 |
| 35 | 4 | Screw | 9612-1036-03 | 9611-99-1176 |
| 35a | 4 | Washer | 9611-99-1831 | 9611-99-1831 |
| 39 | 4 | Nut | 9611-99-0353 | |

Alternatives

| | | | | |
|----|---|-----------------------------|--------------|--------------|
| 36 | 1 | Impeller screw | 9612-3627-01 | 9612-3627-01 |
| 37 | 1 | Impeller for impeller screw | 9612-5876-02 | 9612-5876-02 |
| 38 | 1 | O-ring EPDM | 9611-99-2750 | 9611-99-2750 |
| | 1 | O-ring NBR | 9611-99-2751 | 9611-99-2751 |
| | 1 | O-ring FPM | 9611-99-2752 | 9611-99-2752 |
| | 1 | O-ring FEP | 9611-99-3539 | 9611-99-3539 |

Recommended Spare Parts: Service kits.
900001/0

Surface roughness, product wetted parts: Ra ≤ 0.8 μm

| Pos. | Qty. | Denomination | 0.75-1.1kW | 1.5-2.2kW |
|--------------|------|-----------------------------|--------------|--------------|
| 25 | 1 | Back plate | 9612-1384-30 | 9612-1384-30 |
| 27 | 1 | Impeller | 9612-5876-05 | 9612-5876-05 |
| 29 | 1 | Pump casing, IDF | 9612-4925-25 | 9612-4925-25 |
| | 1 | Pump casing, SMS | 9612-4925-26 | 9612-4925-26 |
| | 1 | Pump casing, DIN | 9612-4925-27 | 9612-4925-27 |
| | 1 | Pump casing, ISO | 9612-4925-28 | 9612-4925-28 |
| | 1 | Pump casing, BS | 9612-4925-29 | 9612-4925-29 |
| | 1 | Pump casing, DS | 9612-4925-30 | 9612-4925-30 |
| Alternatives | | | | |
| 36 | 1 | Impeller screw | 9612-3627-03 | 9612-3627-03 |
| 37 | 1 | Impeller for impeller screw | 9612-5876-06 | 9612-5876-06 |

| Pos. | Qty. | Denomination | 0.75kW | 1.1kW | 1.5kW | 2.2kW |
|--|------|----------------|--------------|--------------|--------------|--------------|
| 1 | 1 | Motor, M2AA** | 9612-4028-38 | 31801-2062-1 | 31801-1982-1 | 31801-1983-1 |
| | 1 | Motor, M2AA*** | 9612-4028-39 | 31801-2062-2 | 31801-1982-2 | 31801-1983-2 |
| ** 3 ~, 50 Hz, 220-240VA/380-420VY - Standard *** 3 ~, 50 Hz, 380-420VA/660-690VY - Option | | | | | | |
| 3 ~, 60 Hz, 250-280VA/440-480VY - Standard 3 ~, 60 Hz, 440-480VA - Option | | | | | | |
| Conversion kit, single to flushed shaft seal 9611-92-2042 = Pos. 10+40b+41+42+43+44+45 | | | | | | |
| Conversion kit, single to double mechanical shaft seal 9611-92-2175 = Pos. 14+15+40a+41+42+44+50+51+52 | | | | | | |
| Conversion kit, flushed to double mechanical shaft seal 9611-92-2176 = Pos. 14+40a+50+51+52 | | | | | | |

| Pos. | Qty. | Denomination | 0.75-2.2 kW |
|--------------------|------|---------------|--------------|
| Accessories | | | |
| 1 | | Tool complete | 9612-1371-01 |

Shaft Seal: See page 58 and 59

| Parts for Flushed Shaft Seal | | | |
|-------------------------------------|---|------------------------|--------------|
| 40 | 1 | Seal housing | 9612-1339-01 |
| 41 | 2 | Screw for seal housing | 9611-99-0203 |
| 42 | 2 | Tube | 9612-3589-01 |

| Parts for Double Mechanical Shaft Seal | | | |
|---|---|------------------------|--------------|
| 40a | 1 | Seal housing | 9612-1339-02 |
| 41 | 2 | Screw for seal housing | 9611-99-0203 |
| 42 | 2 | Tube | 9612-3589-01 |

| Service kit for single shaft seal | | | |
|--|--|-------------------|--------------|
| <input type="checkbox"/> | | Service kit, EPDM | 9611-92-2302 |
| <input type="checkbox"/> | | Service kit, NBR | 9611-92-2303 |
| <input type="checkbox"/> | | Service kit, FPM | 9611-92-2304 |
| <input type="checkbox"/> | | Service kit, FEP | 9611-92-2305 |

| Service kit for single shaft seal and impeller screw | | | |
|---|--|-------------------|--------------|
| <input type="checkbox"/> | | Service kit, EPDM | 9611-92-2306 |
| <input type="checkbox"/> | | Service kit, NBR | 9611-92-2307 |
| <input type="checkbox"/> | | Service kit, FPM | 9611-92-2308 |
| <input type="checkbox"/> | | Service kit, FEP | 9611-92-2309 |

| Service kit for flushed shaft seal | | | |
|---|--|-------------------|--------------|
| <input type="checkbox"/> | | Service kit, EPDM | 9611-92-2310 |
| <input type="checkbox"/> | | Service kit, NBR | 9611-92-2311 |
| <input type="checkbox"/> | | Service kit, FPM | 9611-92-2312 |
| <input type="checkbox"/> | | Service kit, FEP | 9611-92-2313 |

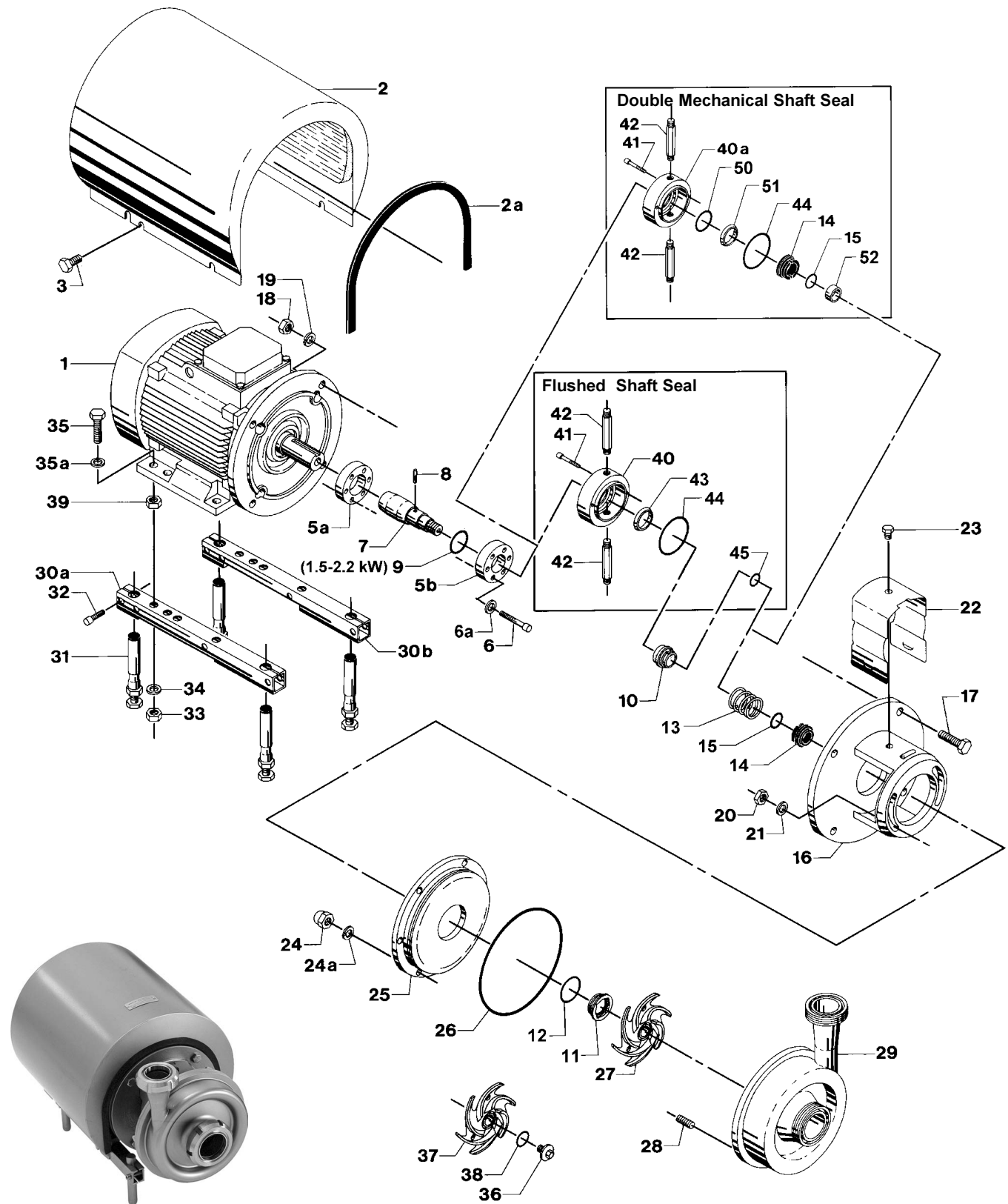
| Service kit for flushed shaft seal and impeller screw | | | |
|--|--|-------------------|--------------|
| <input type="checkbox"/> | | Service kit, EPDM | 9611-92-2314 |
| <input type="checkbox"/> | | Service kit, NBR | 9611-92-2315 |
| <input type="checkbox"/> | | Service kit, FPM | 9611-92-2316 |
| <input type="checkbox"/> | | Service kit, FEP | 9611-92-2317 |

| Service kit for double mechanical shaft seal | | | |
|---|--|-------------------|--------------|
| <input type="checkbox"/> | | Service kit, EPDM | 9611-92-2318 |
| <input type="checkbox"/> | | Service kit, NBR | 9611-92-2319 |
| <input type="checkbox"/> | | Service kit, FPM | 9611-92-2320 |
| <input type="checkbox"/> | | Service kit, FEP | 9611-92-2321 |

| Service kit for double mechanical shaft seal and impeller screw | | | |
|--|--|-------------------|--------------|
| <input type="checkbox"/> | | Service kit, EPDM | 9611-92-2322 |
| <input type="checkbox"/> | | Service kit, NBR | 9611-92-2323 |
| <input type="checkbox"/> | | Service kit, FPM | 9611-92-2324 |
| <input type="checkbox"/> | | Service kit, FEP | 9611-92-2325 |

Parts marked with /◆/○/★/◇/● are included in the service kits.

Centrifugal Pump, Type LKH-10
Single, flushed and double mechanical shaft seal



Centrifugal Pump, Type LKH-10

Single, flushed and double mechanical shaft seal



| Pos. | Qty. | Denomination | 1.5-2.2 kW | 3 kW | 4 kW |
|---------------------|------|---|--------------|--------------|--------------|
| 3 | 4 | Screw | 9611-99-3240 | 9611-99-3240 | 9611-99-3240 |
| 5a | 1 | Compression ring with thread | 9612-1336-01 | 9612-1336-02 | 9612-1336-02 |
| 5b | 1 | Compression ring without thread | 9612-1337-01 | 9612-1337-02 | 9612-1337-02 |
| 6 | 6 | Screw | 9611-99-3196 | 9611-99-3196 | 9611-99-3196 |
| 6a | 6 | Washer | 9611-99-3199 | 9611-99-3199 | 9611-99-3199 |
| 7 | 1 | Shaft with internal/external thread and pin (pos.8) | | 9612-1325-02 | 9612-1325-02 |
| | 1 | Shaft with internal/external thread, pin (pos.8) and retaining ring (pos.9) | 9612-1324-02 | | |
| 8 | 1 | Connex pin | 9611-99-0622 | 9611-99-0622 | 9611-99-0622 |
| 9 | 1 | Retaining ring | 9611-99-2307 | | |
| 10 | 1 | Drive ring, Single shaft seal | 9612-1377-01 | 9612-1377-01 | 9612-1377-01 |
| 11 | 1 | Drive ring, Flushed shaft seal | 9612-1397-01 | 9612-1397-01 | 9612-1397-01 |
| 16 | 1 | Adaptor | 9612-3423-01 | 9612-3424-01 | 9612-3424-01 |
| 17 | 4 | Screw for adaptor | 9611-99-2161 | 9611-99-1834 | 9611-99-1834 |
| 18 | 4 | Nut for adaptor | 9611-99-0353 | 9611-99-0587 | 9611-99-0587 |
| 19 | 4 | Washer for adaptor | 9611-99-1887 | 9611-99-0676 | 9611-99-0676 |
| 20 | 2 | Nut | 9611-99-0353 | 9611-99-0353 | 9611-99-0353 |
| 21 | 2 | Washer | 9611-99-2559 | 9611-99-2559 | 9611-99-2559 |
| 22 | 1 | Safety guard | 9612-1311-05 | 9612-1311-06 | 9612-1311-06 |
| 23 | 1 | Screw for safety guard | 9611-99-3239 | 9611-99-3239 | 9611-99-3239 |
| 24 | 6 | Cap nut (Period 9211-) | 9611-99-2592 | 9611-99-2592 | 9611-99-2592 |
| | 6 | Handle (Period -9210) | 9611-99-2302 | 9611-99-2302 | 9611-99-2302 |
| 24a | 6 | Washer (Period 9211-) | 9611-99-1888 | 9611-99-1888 | 9611-99-1888 |
| 25 | 1 | Back plate | 9612-1384-04 | 9612-1384-04 | 9612-1384-04 |
| 26 | 1 | O-ring, EPDM, (standard) | 9611-99-2137 | 9611-99-2137 | 9611-99-2137 |
| | 1 | O-ring, NBR | 9611-99-2139 | 9611-99-2139 | 9611-99-2139 |
| | 1 | O-ring, FPM | 9611-99-2138 | 9611-99-2138 | 9611-99-2138 |
| | 1 | O-ring, FEP | 9611-99-2140 | 9611-99-2140 | 9611-99-2140 |
| 27 | 1 | Impeller | 9612-1312-07 | 9612-1312-01 | 9612-1312-01 |
| 28 | 6 | Bolt | 9611-99-2168 | 9611-99-2168 | 9611-99-2168 |
| 29 | 1 | Pump casing, IDF | 9612-1398-01 | 9612-1398-01 | 9612-1398-01 |
| | 1 | Pump casing, SMS | 9612-1398-02 | 9612-1398-02 | 9612-1398-02 |
| | 1 | Pump casing, DIN | 9612-1398-03 | 9612-1398-03 | 9612-1398-03 |
| | 1 | Pump casing, ISO | 9612-1398-04 | 9612-1398-04 | 9612-1398-04 |
| | 1 | Pump casing, BS | 9612-1398-05 | 9612-1398-05 | 9612-1398-05 |
| | 1 | Pump casing, flange DN65/DN50 | 9612-1380-01 | 9612-1380-01 | 9612-1380-01 |
| Legs | | | | | |
| 30a | 1 | Support bar, right | 9612-1322-01 | 9612-1322-05 | 9612-1322-05 |
| 30b | 1 | Support bar, left | 9612-1323-01 | 9612-1323-05 | 9612-1323-05 |
| 31 | 4 | Leg | 9612-3967-01 | 9612-3967-01 | 9612-3967-01 |
| 32 | 4 | Screw (Period 9711-) | 9611-99-1126 | 9611-99-1126 | 9611-99-1126 |
| | 4 | Screw (Period -9711) | 9611-99-1907 | 9611-99-1907 | 9611-99-1907 |
| 33 | 4 | Nut | 9611-99-0360 | 9611-99-0353 | 9611-99-0353 |
| 34 | 4 | Spring washer | 9611-99-1888 | 9611-99-1887 | 9611-99-1887 |
| 35 | 4 | Screw | 9611-99-1176 | 9611-99-1374 | 9611-99-1911 |
| 35a | 4 | Washer | 9611-99-0786 | 9611-99-0786 | 9611-99-0786 |
| 39 | 4 | Nut | | 9611-99-0587 | |
| Alternatives | | | | | |
| 36 | 1 | Impeller screw | 9612-1396-01 | 9612-1396-01 | 9612-1396-01 |
| 37 | 1 | Impeller for impeller screw | 9612-1312-08 | 9612-1312-02 | 9612-1312-02 |
| 38 | 1 | O-ring EPDM | 9611-99-2145 | 9611-99-2145 | 9611-99-2145 |
| | 1 | O-ring NBR | 9611-99-2147 | 9611-99-2147 | 9611-99-2147 |
| | 1 | O-ring FPM | 9611-99-2146 | 9611-99-2146 | 9611-99-2146 |
| | 1 | O-ring FEP | 9611-99-2148 | 9611-99-2148 | 9611-99-2148 |

| Pos. | Qty. | Denomination | 1.5 kW | 2.2 kW | 3 kW | 4 kW |
|------|------|--------------------------------|--------------|--------------|--------------|---------------|
| 1 | 1 | Motor, M2AA** | | | | 9612-4028-07 |
| | 1 | Motor, MT/MBT** | 31801-1982-1 | 31801-1983-1 | 31801-1984-1 | *31801-1985-1 |
| | 1 | Motor, M2AA*** | | | | 9612-4028-09 |
| | 1 | Motor, MT/MBT*** | 31801-1982-2 | 31801-1983-2 | 31801-1984-2 | *31801-1985-3 |
| 2 | 1 | Shroud complete | 9612-1390-01 | 9612-1390-01 | 9612-1390-02 | 9612-1390-03 |
| 2a | 1 | Edge list (Included in pos. 2) | | | | |

* MBT motor (Period 9009-9310). Not available anymore.

** 3 ~, 50 Hz, 220-240VA/380-420VY - Standard *** 3 ~, 50 Hz, 380-420VA/660-690VY - Option
3 ~, 60 Hz, 250-280VA/440-480VY - Standard 3 ~, 60 Hz, 440-480VA - Option

Pos. Qty. Denomination 1.5-4 kW Shaft Seal: See page 58 and 59

| Pos. | Qty. | Denomination | 1.5-4 kW |
|--|------|------------------------|--------------|
| Accessories | | | |
| 1 | 1 | Tool complete | 9612-1371-01 |
| Parts for Flushed Shaft Seal | | | |
| 40 | 1 | Seal housing | 9612-1339-01 |
| 41 | 2 | Screw for seal housing | 9611-99-0203 |
| 42 | 2 | Tube | 9612-3589-01 |
| Parts for Double Mechanical Shaft Seal | | | |
| 40a | 1 | Seal housing | 9612-1339-02 |
| 41 | 2 | Screw for seal housing | 9611-99-0203 |
| 42 | 2 | Tube | 9612-3589-01 |
| Service kit for single shaft seal | | | |
| □ | 1 | Service kit, EPDM | 9611-92-2072 |
| □ | 1 | Service kit, NBR | 9611-92-2073 |
| □ | 1 | Service kit, FPM | 9611-92-2074 |
| □ | 1 | Service kit, FEP | 9611-92-2075 |
| Service kit for single shaft seal and impeller screw | | | |
| ◆ | 1 | Service kit, EPDM | 9611-92-2114 |
| ◆ | 1 | Service kit, NBR | 9611-92-2115 |
| ◆ | 1 | Service kit, FPM | 9611-92-2116 |
| ◆ | 1 | Service kit, FEP | 9611-92-2117 |
| Service kit for flushed shaft seal | | | |
| ○ | 1 | Service kit, EPDM | 9611-92-2076 |
| ○ | 1 | Service kit, NBR | 9611-92-2077 |
| ○ | 1 | Service kit, FPM | 9611-92-2078 |
| ○ | 1 | Service kit, FEP | 9611-92-2079 |
| Service kit for flushed shaft seal and impeller screw | | | |
| * | 1 | Service kit, EPDM | 9611-92-2118 |
| * | 1 | Service kit, NBR | 9611-92-2119 |
| * | 1 | Service kit, FPM | 9611-92-2120 |
| * | 1 | Service kit, FEP | 9611-92-2121 |
| Service kit for double mechanical shaft seal | | | |
| ◇ | 1 | Service kit, EPDM | 9611-92-2206 |
| ◇ | 1 | Service kit, NBR | 9611-92-2207 |
| ◇ | 1 | Service kit, FPM | 9611-92-2208 |
| ◇ | 1 | Service kit, FEP | 9611-92-2209 |
| Service kit for double mechanical shaft seal and impeller screw | | | |
| ● | 1 | Service kit, EPDM | 9611-92-2210 |
| ● | 1 | Service kit, NBR | 9611-92-2211 |
| ● | 1 | Service kit, FPM | 9611-92-2212 |
| ● | 1 | Service kit, FEP | 9611-92-2213 |

Parts marked with □/○/◇/● are included in the service kits.

Recommended Spare Parts: Service kits.

Conversion kit, single to flushed shaft seal 9611-92-2042 = Pos. 10+40+41+42+43+44+45

Conversion kit, single to double mechanical shaft seal 9611-92-2175 = Pos. 14+15+40a+41+42+44+50+51+52. SIC/SIC = 9611-92-2302

Conversion kit, flushed to double mechanical shaft seal 9611-92-2176 = Pos. 14+40a+50+51+52

Surface roughness, product wetted parts: Ra ≤ 0.8 μm

| Pos. | Qty. | Denomination | 1.5-2.2 kW | 3-4 kW |
|---------------------|------|-----------------------------|--------------|--------------|
| 25 | 1 | Back plate | 9612-1384-20 | 9612-1384-20 |
| 27 | 1 | Impeller | 9612-1312-15 | 9612-1312-05 |
| 29 | 1 | Pump casing, IDF | 9612-4572-01 | 9612-4572-01 |
| | 1 | Pump casing, SMS | 9612-4572-02 | 9612-4572-02 |
| | 1 | Pump casing, DIN | 9612-4572-03 | 9612-4572-03 |
| | 1 | Pump casing, ISO | 9612-4572-04 | 9612-4572-04 |
| | 1 | Pump casing, BS | 9612-4572-05 | 9612-4572-05 |
| Alternatives | | | | |
| 36 | 1 | Impeller screw | 9612-1396-03 | 9612-1396-03 |
| 37 | 1 | Impeller for impeller screw | 9612-1312-16 | 9612-1312-06 |