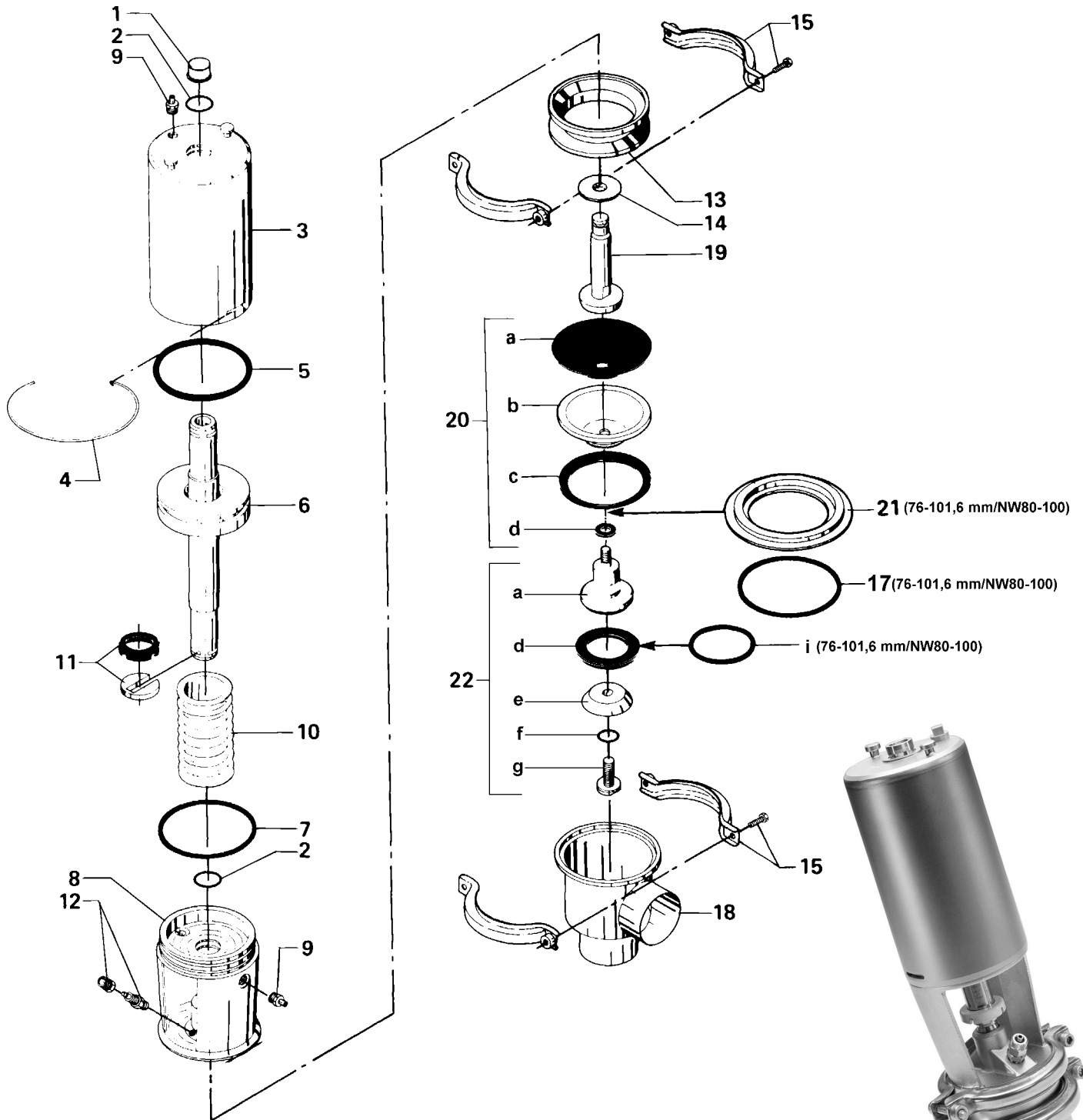


**Aseptic Remote Controlled Valve
Type ARC – Stop Valve**



Aseptic Remote Controlled Valve Type ARC – Stop Valve



Actuator

Pos.	Qty.	Denomination	NW 40 38 mm	NW50 51 mm	NW 65 63.5 mm	76 mm	NW80	NW 100 101.6 mm
		Actuator -1, complete	31353-0206-4	31353-0206-4	31353-0206-4	31353-0214-4	31353-0214-4	31353-0214-4
		Actuator -2, complete	31353-0206-6	31353-0206-6	31353-0206-6	31353-0214-6	31353-0214-6	31353-0214-6
		Actuator -3, complete	31353-0206-7	31353-0206-7	31353-0206-7	31353-0214-7	31353-0214-7	31353-0214-7
1	1	Cap	31801-0525-6	31801-0525-6	31801-0525-6	31801-0525-5	31801-0525-5	31801-0525-5
2Δ	2	O-ring	223406-25	223406-25	223406-25	223406-49	223406-49	223406-49
3	1	Cylinder	31353-0139-1	31353-0139-1	31353-0139-1	31353-0185-1	31353-0185-1	31353-0185-1
4Δ	1	Lock wire	31353-0151-1	31353-0151-1	31353-0151-1	31353-0189-1	31353-0189-1	31353-0189-1
5Δ	1	O-ring	223401-74	223401-74	223401-74	223401-75	223401-75	223401-75
6	1	Piston -1, -2	31353-0621-1	31353-0621-1	31353-0621-1	31353-0619-1	31353-0619-1	31353-0619-1
	1	Piston -3	31353-0621-2	31353-0621-2	31353-0621-2	31353-0619-2	31353-0619-2	31353-0619-2
7Δ	1	O-ring	223406-67	223406-67	223406-67	223406-17	223406-17	223406-17
8	1	Bonnet	31353-0133-2	31353-0133-2	31353-0133-2	31353-0190-2	31353-0190-2	31353-0190-2
9*	2	Plug	31353-0154-1	31353-0154-1	31353-0154-1	31353-0154-1	31353-0154-1	31353-0154-1
10a*	1	Spring assembly (standard black)	31353-0625-1	31353-0625-1	31353-0625-1	31353-0622-1	31353-0622-1	31353-0622-1
10b*	1	Spring assembly with extra strong spring (white)	31353-0625-2	31353-0625-2	31353-0625-2	31353-0622-2	31353-0622-2	31353-0622-2
11Δ	1	Clip, complete	31353-0793-1	31353-0793-1	31353-0793-1	31353-0793-2	31353-0793-2	31353-0793-2
12	1	Drain tube	31801-1444-1	31801-1444-1	31801-1444-1	31801-1444-1	31801-1444-1	31801-1444-1
Δ		Service kit	9611-92-0008	9611-92-0008	9611-92-0008	9611-92-0009	9611-92-0009	9611-92-0009

* Only for actuators -1 and -2.

Pos.	Qty.	Denomination	NW 40 38 mm	NW50 51 mm	NW 65 63.5 mm	76 mm	NW80	NW 100 101.6 mm
13	1	Intermediate piece	31353-0813-1	31353-0813-1	31353-0813-1	31353-0840-1	31353-0840-1	31353-0840-1

Clamp

15	2	Clamp and screws (period 9209-) .	31320-0027-3	31320-0027-3	31320-0027-3	31320-0027-5	31320-0027-5	31320-0027-5
15a	4	Clamp half (Period -9209)	31320-0022-1	31320-0022-1	31320-0022-1	31320-0021-1	31320-0021-1	31320-0021-1
15b	2	Screw (Period -9209)	2210936-18	2210936-18	2210936-18	2210936-18	2210936-18	2210936-18
15c	2	Screw (Period -9209)	2210936-19	2210936-19	2210936-19	2210936-19	2210936-19	2210936-19

Valve Body

18	1	Valve body,2 ports, ISO	31353-0375-1	31353-0376-1	31353-0380-1	31353-0381-1		31353-0026-1
	1	Valve body,2 ports, DIN	9612-0940-01	9612-0941-01	9612-0942-01		9612-0943-01	9612-0944-01
	1	Valve body,3 ports, ISO	31353-0375-6	31353-0376-6	31353-0380-6	31353-0381-6		31353-0026-6
	1	Valve body,3 ports, DIN	9612-0940-02	9612-0941-02	9612-0942-02		9612-0943-02	9612-0944-02

**Aseptic Remote Controlled Valve
Type ARC – Stop Valve**



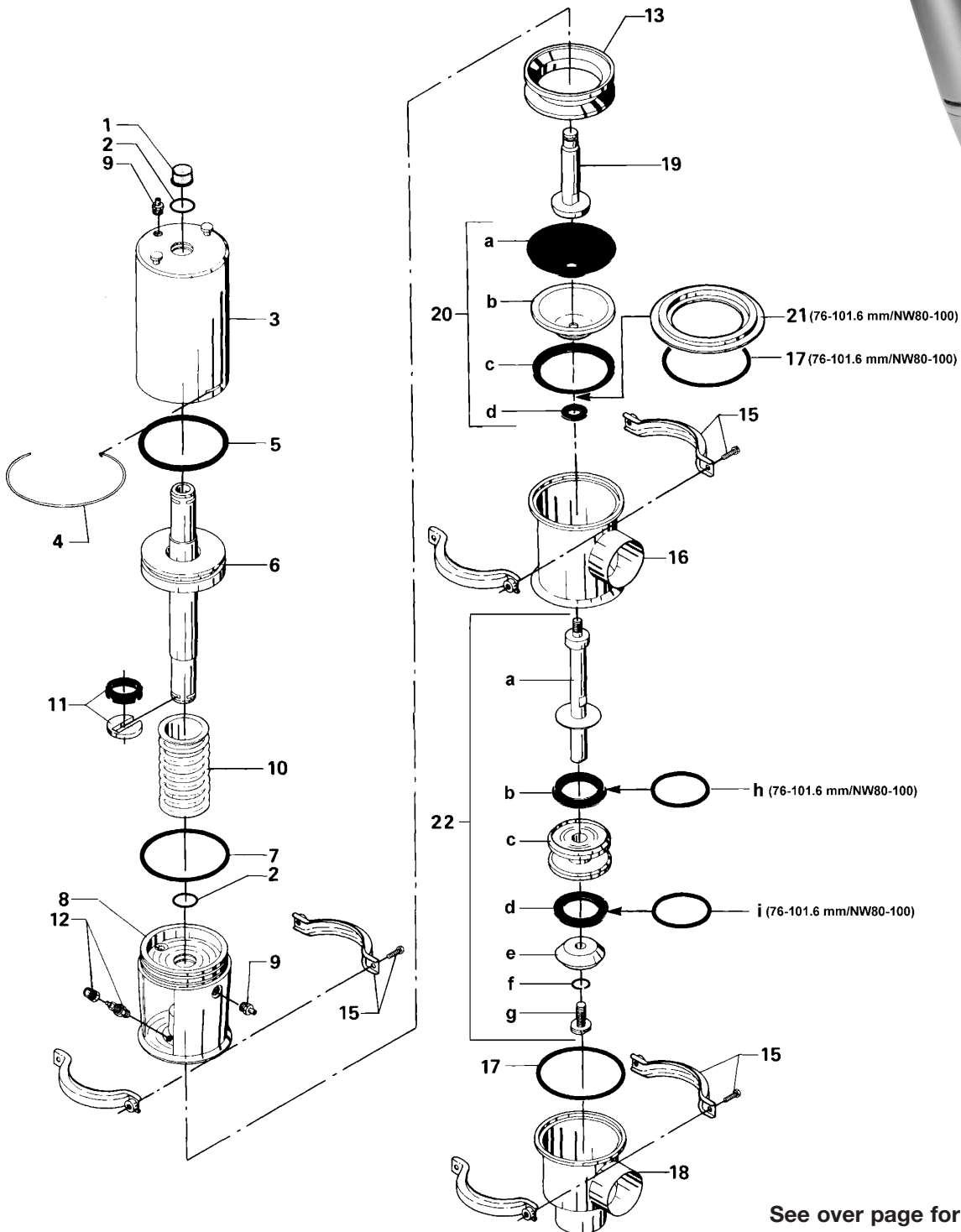
Pos.	Qty.	Denomination	NW 40 38 mm	NW50 51 mm	NW 65 63.5 mm	76 mm	NW80	NW 100 101.6 mm
Valve Plug								
14	1	Washer	31353-0821-1	31353-0821-1	31353-0821-1	31353-0821-2	31353-0821-2	31353-0821-2
17Δ	1	Seal ring, EPDM (standard)				31353-0205-1	31353-0205-1	31353-0205-1
	1	Seal ring, NBR				31353-0205-2	31353-0205-2	31353-0205-2
	1	Seal ring, FPM				31353-0205-3	31353-0205-3	31353-0205-3
19	1	Stem, upper	31353-0809-1	31353-0809-1	31353-0809-1	31353-0839-1	31353-0839-1	31353-0839-1
20Δ	1	Diaphragm set PTFE, EPDM	9611-92-0001	9611-92-0001	9611-92-0001	9611-92-0007	9611-92-0007	9611-92-0007
		(complete replacement recom- mended)						
	1	Diaphragm set NBR	9611-92-0081	9611-92-0081	9611-92-0081	9611-92-0083	9611-92-0083	9611-92-0083
	1	Diaphragm set FPM	9611-92-0082	9611-92-0082	9611-92-0082	9611-92-0084	9611-92-0084	9611-92-0084
20a	1	Diaphragm support, EPDM	31353-0816-1	31353-0816-1	31353-0816-1	31353-0816-2	31353-0816-2	31353-0816-2
20b	1	Diaphragm PTFE	31353-0820-1	31353-0820-1	31353-0820-1	31353-0820-2	31353-0820-2	31353-0820-2
20c	1	L-seal, EPDM (standard)	31353-0817-1	31353-0817-1	31353-0817-1	31353-0817-1	31353-0817-1	31353-0817-1
	1	L-seal, NBR	31353-0817-2	31353-0817-2	31353-0817-2	31353-0817-2	31353-0817-2	31353-0817-2
	1	L-seal, FPM	31353-0817-3	31353-0817-3	31353-0817-3	31353-0817-3	31353-0817-3	31353-0817-3
20d	1	Stem seal, EPDM (standard)	31353-0818-1	31353-0818-1	31353-0818-1	31353-0818-2	31353-0818-2	31353-0818-2
	1	Stem seal, NBR	31353-0818-3	31353-0818-3	31353-0818-3	31353-0818-4	31353-0818-4	31353-0818-4
	1	Stem seal, FPM	31353-0818-5	31353-0818-5	31353-0818-5	31353-0818-6	31353-0818-6	31353-0818-6
21	1	Diaphragm ring				31353-0841-1	31353-0841-1	31353-0841-1
Valve plug								
22		Plug, single, complete EPDM	31353-0823-1	31353-0823-2	31353-0823-3	31353-0848-1	31353-0848-5	31353-0848-2
		(standard)						
		Plug, single, complete NBR	9612-3094-01	9612-3094-02	9612-3094-03	9612-3092-01	9612-3092-05	9612-3092-02
		Plug, single, complete FPM	9612-3094-07	9612-3094-08	9612-3094-09	9612-3092-06	9612-3092-10	9612-3092-07
a	1	Stem, lower	31353-0811-1	31353-0812-1	31353-0815-1	31353-0843-1	9612-1887-01	31353-0846-1
dΔ	1	Seal, EPDM (standard)	31353-0320-1	31353-0321-1	31353-0322-1			
	1	Seal, NBR	31353-0320-2	31353-0321-2	31353-0322-2			
	1	Seal, FPM	31353-0320-3	31353-0321-3	31353-0322-3			
e	1	Washer	31353-0357-1	31353-0358-1	31353-0359-1	31353-0845-1	31353-0845-5	31353-0845-2
fΔ	1	O-ring, EPDM (standard)	990034-01	990034-01	990034-01	990034-01	990034-01	990034-01
	1	O-ring, NBR	223404-21	223404-21	223404-21	223404-21	223404-21	223404-21
	1	O-ring, FPM	223404-35	223404-35	223404-35	223404-35	223404-35	223404-35
g	1	Screw	31353-0362-1	31353-0362-1	31353-0362-1	31353-0362-1	31353-0362-1	31353-0362-1
iΔ	1	O-ring, EPDM (standard)				9611-99-0544	9611-99-1285	9611-99-1491
	1	O-ring, NBR				9611-99-0029	9611-99-1154	9611-99-2549
	1	O-ring, FPM				9611-99-1345	9611-99-1346	9611-99-2550
Δ		Service kit, EPDM	9611-92-0040	9611-92-0041	9611-92-0042	9611-92-0043	9611-92-0113	9611-92-0044
Δ		Service kit, NBR	9611-92-0085	9611-92-0087	9611-92-0089	9611-92-0091	9611-92-0114	9611-92-0093
Δ		Service kit, FPM	9611-92-0086	9611-92-0088	9611-92-0090	9611-92-0092	9611-92-0115	9611-92-0094

Parts marked with Δ are included in the service kits.

Rebuilding set, EPDM, SRC-A to ARC				
38 mm	51 mm	63.5 mm	76 mm	101.6 mm
31353-0833-1	31353-0833-2	31353-0833-3	31353-0836-1	31353-0836-2

The rebuilding set contains Pos. 13, 14, 15a+c, 19, 20, 22a, 22d, 22f

**Aseptic Remote Controlled Valve
Type ARC – Change-over Valve**



See over page for relevant parts table

Aseptic Remote Controlled Valve Type ARC – Change-over Valve



ACTUATOR

Pos.	Qty.	Denomination	NW 40 38 mm	NW 50 51 mm	NW 65 63.5 mm	76 mm	NW80	NW100 101.6 mm
		Actuator -1, complete	31353-0206-4	31353-0206-4	31353-0206-4	31353-0214-4	31353-0214-4	31353-0214-4
		Actuator -2, complete	31353-0206-6	31353-0206-6	31353-0206-6	31353-0214-6	31353-0214-6	31353-0214-6
		Actuator -3, complete	31353-0206-7	31353-0206-7	31353-0206-7	31353-0214-7	31353-0214-7	31353-0214-7
1	1	Cap	31801-0525-6	31801-0525-6	31801-0525-6	31801-0525-5	31801-0525-5	31801-0525-5
2A	2	O-ring	223406-25	223406-25	223406-25	223406-49	223406-49	223406-49
3	1	Cylinder	31353-0139-1	31353-0139-1	31353-0139-1	31353-0185-1	31353-0185-1	31353-0185-1
4A	1	Lock wire	31353-0151-1	31353-0151-1	31353-0151-1	31353-0189-1	31353-0189-1	31353-0189-1
5A	1	O-ring	223401-74	223401-74	223401-74	223401-75	223401-75	223401-75
6	1	Piston -1, -2	31353-0621-1	31353-0621-1	31353-0621-1	31353-0619-1	31353-0619-1	31353-0619-1
	1	Piston -3	31353-0621-2	31353-0621-2	31353-0621-2	31353-0619-2	31353-0619-2	31353-0619-2
7A	1	O-ring	223406-67	223406-67	223406-67	223406-17	223406-17	223406-17
8	1	Bonnet	31353-0133-2	31353-0133-2	31353-0133-2	31353-0190-2	31353-0190-2	31353-0190-2
9*	2	Plug	31353-0154-1	31353-0154-1	31353-0154-1	31353-0154-1	31353-0154-1	31353-0154-1
10a*	1	Spring assembly (Black)	31353-0625-1	31353-0625-1	31353-0625-1	31353-0622-1	31353-0622-1	31353-0622-1
10b*	1	Spring assembly with extra strong spring (White)	31353-0625-2	31353-0625-2	31353-0625-2	31353-0622-2	31353-0622-2	31353-0622-2
11A	1	Clip, complete	31353-0793-1	31353-0793-1	31353-0793-1	31353-0793-2	31353-0793-2	31353-0793-2
12	1	Drain tube	31801-1444-1	31801-1444-1	31801-1444-1	31801-1444-1	31801-1444-1	31801-1444-1
Δ		Service kit	9611-92-0008	9611-92-0008	9611-92-0008	9611-92-0009	9611-92-0009	9611-92-0009

* Only for actuators -1 and -2.

Valve Body Part

Pos.	Qty.	Denomination	NW 40 38 mm	NW 50 51 mm	NW 65 63.5 mm	76 mm	NW80	NW100 101.6 mm
13	1	Intermediate piece	31353-0813-1	31353-0813-1	31353-0813-1	31353-0840-1	31353-0840-1	31353-0840-1
Clamp								
15	3	Clamp and screws (Period 9209)	31320-0027-3	31320-0027-3	31320-0027-3	31320-0027-5	31320-0027-5	31320-0027-5
15a	6	Clamp half (Period -9209)	31320-0022-1	31320-0022-1	31320-0022-1	31320-0021-1	31320-0021-1	31320-0021-1
15b	4	Screw (Period -9209)	2210936-18	2210936-18	2210936-18	2210936-18	2210936-18	2210936-18
15c	2	Screw (Period -9209)	2210936-19	2210936-19	2210936-19	2210936-19	2210936-19	2210936-19
Valve Body								
16	1	Valve body, upper, 1 port, ISO	31353-0053-1	31353-0054-1	31353-0055-1	31353-0056-1		31353-0058-1
	1	Valve body, upper, 1 port, NW	9612-0945-01	9612-0946-01	9612-0947-01		9612-0948-01	9612-0949-01
	1	Valve body, upper, 2 ports, ISO	31353-0053-6	31353-0054-6	31353-0055-6	31353-0056-6		31353-0058-6
	1	Valve body, upper, 2 ports, NW	9612-0945-02	9612-0946-02	9612-0947-02		9612-0948-02	9612-0949-02
17A	1	Seal ring, EPDM (standard)	31353-0128-1	31353-0128-1	31353-0128-1			
	1	Seal ring, NBR	31353-0128-2	31353-0128-2	31353-0128-2			
	1	Seal ring, FPM	31353-0128-3	31353-0128-3	31353-0128-3			
	2	Seal ring, EPDM (standard)				31353-0205-1	31353-0205-1	31353-0205-1
	2	Seal ring, NBR				31353-0205-2	31353-0205-2	31353-0205-2
	2	Seal ring, FPM				31353-0205-3	31353-0205-3	31353-0205-3
18	1	Valve body, lower, 2 ports, ISO	31353-0375-1	31353-0376-1	31353-0380-1	31353-0381-1		31353-0026-1
	1	Valve body, lower, 2 ports, NW	9612-0940-01	9612-0941-01	9612-0942-01		9612-0943-01	9612-0944-01
	1	Valve body, lower, 3 ports, ISO	31353-0375-6	31353-0376-6	31353-0380-6	31353-0381-6		31353-0026-6
	1	Valve body, lower, 3 ports, NW	9612-0940-02	9612-0941-02	9612-0942-02		9612-0943-02	9612-0944-02
19	1	Stem, upper	31353-0809-1	31353-0809-1	31353-0809-1	31353-0839-1	31353-0839-1	31353-0839-1
20A	1	Diaphragm set PTFE, EPDM	9611-92-0001	9611-92-0001	9611-92-0001	9611-92-0007	9611-92-0007	9611-92-0007
		(complete replacement recommended)						
	1	Diaphragm set NBR	9611-92-0081	9611-92-0081	9611-92-0081	9611-92-0083	9611-92-0083	9611-92-0083
	1	Diaphragm set FPM	9611-92-0082	9611-92-0082	9611-92-0082	9611-92-0084	9611-92-0084	9611-92-0084
20a	1	Diaphragm support, EPDM	31353-0816-1	31353-0816-1	31353-0816-1	31353-0816-2	31353-0816-2	31353-0816-2
20b	1	Diaphragm for PTFE	31353-0820-1	31353-0820-1	31353-0820-1	31353-0820-2	31353-0820-2	31353-0820-2
20c	1	L-seal, EPDM (standard)	31353-0817-1	31353-0817-1	31353-0817-1	31353-0817-1	31353-0817-1	31353-0817-1
	1	L-seal, NBR	31353-0817-2	31353-0817-2	31353-0817-2	31353-0817-2	31353-0817-2	31353-0817-2
	1	L-seal, FPM	31353-0817-3	31353-0817-3	31353-0817-3	31353-0817-3	31353-0817-3	31353-0817-3
20d	1	Stem seal, EPDM (standard)	31353-0818-1	31353-0818-1	31353-0818-1	31353-0818-2	31353-0818-2	31353-0818-2
	1	Stem seal, NBR	31353-0818-3	31353-0818-3	31353-0818-3	31353-0818-4	31353-0818-4	31353-0818-4
	1	Stem seal, FPM	31353-0818-5	31353-0818-5	31353-0818-5	31353-0818-6	31353-0818-6	31353-0818-6
21	1	Diaphragm ring				31353-0841-1	31353-0841-1	31353-0841-1

Aseptic Remote Controlled Valve Type ARC – Change-over Valve



Valve Body Part

Pos.	Qty.	Denomination	NW 40 38 mm	NW 50 51 mm	NW 65 63.5 mm	76 mm	NW80	NW100 101.6 mm
Valve Plug								
22		Plug, double, complete EPDM (standard)	31353-0824-1	31353-0824-2	31353-0824-3	31353-0856-1	31353-0856-5	31353-0856-2
		Plug, double, complete NBR	9612-3093-01	9612-3093-02	9612-3093-03	9612-3091-01	9612-3091-05	9612-3091-02
		Plug, double, complete FPM	9612-3093-07	9612-3093-08	9612-3093-09	9612-3091-06	9612-3091-10	9612-3091-07
a	1	Stem, lower	31353-0810-1	31353-0810-2	31353-0814-1	31353-0850-1	31353-0850-5	31353-0850-2
bΔ	1	Seal, EPDM (standard)	31353-0321-1	31353-0321-1	31353-0323-1			
	1	Seal, NBR	31353-0321-2	31353-0321-2	31353-0323-2			
	1	Seal, FPM	31353-0321-3	31353-0321-3	31353-0323-3			
c	1	Middle piece	31353-0363-1	31353-0364-1	31353-0365-1	31353-0854-1	9612-1888-01	31353-0855-1
dΔ	1	Seal, EPDM (standard)	31353-0320-1	31353-0321-1	31353-0322-1			
	1	Seal, NBR	31353-0320-2	31353-0321-2	31353-0322-2			
	1	Seal, FPM	31353-0320-3	31353-0321-3	31353-0322-3			
e	1	Washer	31353-0357-1	31353-0358-1	31353-0359-1	31353-0845-1	31353-0845-5	31353-0845-2
fΔ	1	O-ring, EPDM	990034-01	990034-01	990034-01	990034-01	990034-01	990034-01
	1	O-ring, NBR	223404-21	223404-21	223404-21	223404-21	223404-21	223404-21
	1	O-ring, FPM	223404-35	223404-35	223404-35	223404-35	223404-35	223404-35
g	1	Screw	31353-0362-1	31353-0362-1	31353-0362-1	31353-0362-1	31353-0362-1	31353-0362-1
hΔ	1	O-ring EPDM (standard)				9611-99-0544	9611-99-0544	9611-99-1491
	1	O-ring NBR				9611-99-0029	9611-99-0029	9611-99-2549
	1	O-ring FPM				9611-99-1345	9611-99-1345	9611-99-2550
i	1	O-ring, EPDM (standard)				9611-99-0544	9611-99-1285	9611-99-1491
	1	O-ring, NBR				9611-99-0029	9611-99-1154	9611-99-2549
	1	O-ring, FPM				9611-99-1345	9611-99-1346	9611-99-2550
Δ		Service kit EPDM	9611-92-0045	9611-92-0046	9611-92-0047	9611-92-0048	9611-92-0116	9611-92-0049
Δ		Service kit NBR	9611-92-0095	9611-92-0097	9611-92-0099	9611-92-0101	9611-92-0117	9611-92-0103
Δ		Service kit FPM	9611-92-0096	9611-92-0098	9611-92-0100	9611-92-0102	9611-92-0120	9611-92-0104

Parts marked with Δ are included in the **service kits**.

Rebuilding set EPDM, SRC-A to ARC

38 mm	51 mm	63,5 mm	76 mm	101,6 mm
31353-0834-1	31353-0834-2	31353-0834-3	31353-0835-1	31353-0835-2

The rebuilding set contains Pos. 13, 15a+c, 19, 20, 22a, 22b, 22d, 22f

Recommended spare parts: **Service kits**.